

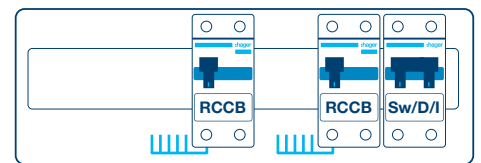
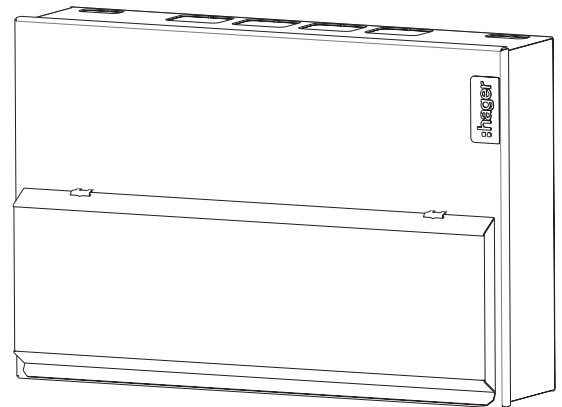
Consumer Unit Design 10 Split Load

For the distribution of power in a residential application, conforming to BS EN 61439-3 including Annex ZB (16kA rating).

Design 10 is the entry level board designed for all applications and allows compliance with BS 7671:2008 regulations; 411.3.3 additional protection by means of a 30mA RCD, 314.1&2 segregation of circuits to avoid danger and minimise inconvenience in the event of a fault, 522.6.7 protection of wiring concealed in walls or partitions.

Metal enclosure manufactured to allow compliance with BS 7671 regulation 421.1.201

A split load board allows circuits to be arranged in a configuration to minimise inconvenience to the householder in case of an earth leakage fault.



VML755H

| Description | Size | Cat ref. |
|---|------|----------|
| 6 Way Split Load 3+3 100A Switch 2x63A 30mA RCCB | 4 | VML733H |
| 10 Way Split Load 5+5 100A Switch 2x63A 30mA RCCB | 5 | VML755H |
| 12 Way Split Load 6+6 100A Switch 2x63A 30mA RCCB | 6 | VML766H |
| 10 Way Split Load 5+5 100A Switch 2x80A 30mA RCCB | 5 | VML855H |
| 12 Way Split Load 6+6 100A Switch 2x80A 30mA RCCB | 6 | VML866H |

Features & Benefits

- Square cable entry points top and bottom for use with cable trunking
- Rear Knockouts for ease of cable entry – Cable protector plate available as accessory
- Rigid top wall – Enhances rigidity to prevent distortion when removing knockouts
- Front cover retained screws – Prevents loss during installation
- Full metal DIN rail – Secure and stable attachment of devices
- Quick release clip on MCB/RCBO – Allows removal of MCB/RCBO with busbar still in place
- Optimised cabling space – DIN rail position allows maximum cabling space
- Busbar configured and connected to RCCBs.
- Torque settings displayed inside front cover so they're easily accessible by the electrician.
- Top mounted terminal rail makes the wiring of the neutral and earth connections neat and simple.

Technical Characteristics

| | |
|--|---|
| Standards | BS EN 61439-3 |
| Classification | Consumer Unit |
| Rated & Operational Voltage (U_N/U_e) | 230V a.c 50 Hz |
| Rated Insulation Voltage (U_i) | 320V a.c. 50Hz |
| Rated Frequency (fn) | 50 Hz |
| Rated impulse withstand voltage (U_{imp}) | 4kV |
| Rated Current of the Assembly (I_{na}) | 100A |
| Rated Current of an Outgoing Circuit I_{nC} | MCB 6A - 63A (Marked Rated Current on Device) |
| Rated Conditional Short Circuit of the Assembly (I_{cC}) | Annex ZB: 16kA rms at 250V, power factor 0.6 with equipment and arrangements specified in Hager's technical documentation/catalogue |
| Rated Current of outgoing unit (I_{nC}) | RCCB 63A - 80A (marked rated current on device) |
| Protection against electric shock | Consumer Unit shall be installed in an electrical system conforming to IEC 60364 / BS 7671 |
| Rated Diversity Factor (RDF) / Values of assumed loading | 6 way - 9 way = 0.6 10 way and above - 0.5 |

Note: RDF only applies to continuously and simultaneously loaded circuits. In principle, this means adjacent circuit breakers having a load on time exceeding 30 minutes or where a load not exceeding 30 minutes has an 'off' time less than the 'on' time will need to have the rated diversity factor applied as indicated.

| | |
|---|---|
| Pollution Degree | 2 |
| Types of System Earthing for which the assembly is designed | TNC-S and TN-S when installed in an electrical system conforming to BS 7671 |
| Intended locations | Indoor use only |
| Stationary assembly | |
| Degree of protection | IP2XC with door open / closed and full compliment of devices / blanks fitted. Note: Where cables are installed through the top wall of the enclosure, gaps of IP4X to be maintained. |
| Intended use | Intended for use in domestic (residential) or similar premises |
| Electromagnetic compatibility (EMC) classification | EMC environment B |
| External design | Wall mounted, surface type, enclosed assembly. |
| Mechanical impact protection | IK05 |
| Type of construction | Fixed parts |
| Incoming Line/Neutral terminal | 50mm ² |
| Incoming Earth Terminal | 16mm ² |

Warranty - Hager undertakes to replace or repair at its discretion products should they become inoperable within the time periods as stated. - 2 Years.

Accessories

| | | |
|-----------------------|--|---------------|
| Cable protector plate | Provides protection for cables entering from the rear of the board | VM02CE |
| Cable Clamp | Secures supply cables on entry to main incoming device | VA10MT |
| Grommet strip | For protecting cables against damage when entering the board | VM05GS |
| Rear stand off plates | To stand consumer unit off wall allowing surface mounted cables to enter through rear of unit. | VM01SP |

Devices

MCB 6kA 6A to 63A B Curve

MTN***

Design 10 Dimensions (mm)

| | Enclosure Size | | |
|---------|----------------|-----|-----|
| | 4 | 5 | 6 |
| Height | 246 | 246 | 246 |
| Width | 299 | 370 | 406 |
| Depth 1 | 83 | 83 | 83 |
| Depth 2 | 100 | 100 | 100 |

| | Number of Rows | | |
|---|----------------|---|---|
| <input type="checkbox"/> Top Face 30 x 25 (mm) | 2 | 2 | 2 |
| <input type="checkbox"/> Top Face 40 x 30 (mm) | 4 | 4 | 6 |
| <input type="checkbox"/> Back 100 x 50 (mm) | 1 | 3 | 3 |
| <input type="checkbox"/> Bottom Face 30 x 25 (mm) | 4 | 4 | 5 |

